

## Replacement Parts List

**Notes:** \*Important safety notice:

 Components identified by  $\Delta$  mark have special characteristics important for safety.

Furthermore, special parts which have purposes of fire-retardant (resistors), high-quality sound (capacitors), low-noise (resistors), etc. are used.

When replacing any of components, be sure to use only manufacturer's specified parts shown in the parts list.

\*The parenthesized indications in the Remarks columns specify the areas. (Refer to the cover page for area.)

Parts without these indications can be used for all areas.

\*Remote Control Ass'y: Supply period for three years from termination of production.

\*The "(SF)" mark denotes the standard part.

Ref. No.	Part No.	Part Name & Description	Remarks	Ref. No.	Part No.	Part Name & Description	Remarks
		INTEGRATED CIRCUIT (S)		D612, 613	MA165	DIODE	
				D614	1SS291TA	DIODE	
				D615-618	MA165	DIODE	
IC301	M5218AP	I. C, HEADPHONES AMP.		D619, 620	MA4062MTA	DIODE	$\Delta$
IC351	M5218AP	I. C, SIGNAL LEVEL DET.		D631, 632	MA165	DIODE	
IC401	AN6558-FSG	I. C, MIC AMP.		D701-704	P300D5002T	DIODE	$\Delta$
IC501	SV13102D	I. C, POWER AMP.	$\Delta$	D705, 706	1SR35200TB	DIODE	$\Delta$
IC601	LC65204A4B79	I. C, FL DRIVE		D709, 710	MA185TA	DIODE	$\Delta$
IC602	BA4558DK	I. C, METER AMP.		D711	MA165	DIODE	
		TRANSISTOR (S)		D712	MA4240H	DIODE	
				D714	MA4062-H	DIODE	$\Delta$
				D715, 716	MA4150M	DIODE	$\Delta$
				D717	MA4051MTA	DIODE	$\Delta$
Q201, 202	2SD1450RTA	TRANSISTOR		D750	MA4270HTA	DIODE	$\Delta$
Q203	UN4115	TRANSISTOR					
Q352	KSD471ACYGTA	TRANSISTOR	$\Delta$			VARIABLE RESISTOR (S)	
Q354	2SC3311AIRTA	TRANSISTOR					
Q361	KSD471ACYGTA	TRANSISTOR	$\Delta$	VR401	EVJ02BF02B14	V. R, MIC VOLUME CONTROL	
Q362	2SC3327-A	TRANSISTOR	$\Delta$	VR601	EVQWQAF2524B	V. R, MAIN VOLUME CONTROL	
Q371	2SC3311ARSTA	TRANSISTOR					
Q571, 572	2SC3311AIRTA	TRANSISTOR				COIL (S)	
Q573	2SA1309AIQTA	TRANSISTOR		L501, 502	SLQY07G-40	COIL	
Q591, 592	2SC3312RSTA	TRANSISTOR		L601	ELEXT100KA9	COIL	
Q601	UN4211	TRANSISTOR		L701	RLQZ271M	COIL	$\Delta$ (EG)
Q611	UN4211	TRANSISTOR					
Q612	UN4111	TRANSISTOR				OSCILLATOR (S)	
Q613, 614	2SD1450RTA	TRANSISTOR					
Q701	2SD1762EF	TRANSISTOR	$\Delta$	X601	EF0EC4004T4	OSCILLATOR (4MHz)	
Q702	2SB1185EF	TRANSISTOR	$\Delta$				
Q703	2SC3940AQSTA	TRANSISTOR	$\Delta$			DISPLAY	
Q704	2SC3112TA	TRANSISTOR		FL601	RSL0162-F	FL DISPLAY	
Q750	2SB1357DEFTA	TRANSISTOR	$\Delta$				
Q751, 752	2SD1450RTA	TRANSISTOR				FUSE (S)	
Q753	UN4111	TRANSISTOR		F1	XBA2C12TB0S	FUSE, 250V T1. 25A	$\Delta$
		DIODE (S)		F701, 702	XBA2C16TB0	FUSE, 250V T1. 6A	$\Delta$
D351	MA165	DIODE				SWITCH (ES)	
D352	MA4068M	DIODE	$\Delta$	S601	EVQ21405R	SW, POWER	
D361	MA4091-M	DIODE	$\Delta$	S603	EVQ21405R	SW, RANGE	
D362	MA165	DIODE					
D371	MA165	DIODE				CONNECTOR (S)	
D401	MA4062MTA	DIODE					
D602	SLR-305VC	LED					
D603	MA165	DIODE					
D610	MA165	DIODE					
D611	1SS291TA	DIODE					

**Notes:** \* Capacity values are in microfarads ( $\mu$ F) unless specified otherwise, P=Pico-farads (pF) F=Farads (F)  
 \* Resistance values are in ohms, unless specified otherwise, 1K=1,000 (OHM) , 1M=1,000k (OHM)

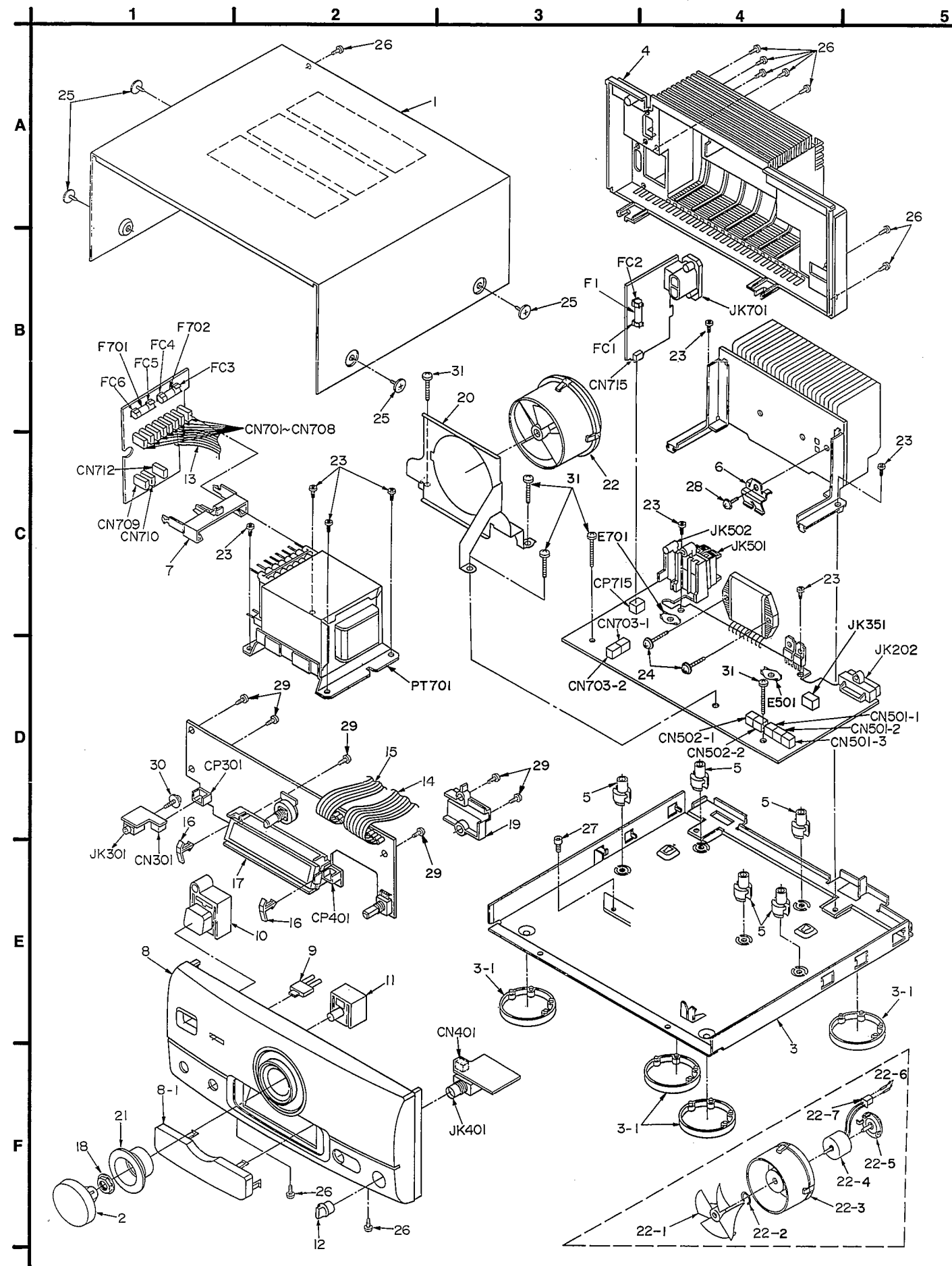
Ref. No.	Part No.	Part Name & Description	Remarks
CN301	RJU057W004	SOCKET (4P)	
CN401	RJU057W004	SOCKET (4P)	
CN701-710	RJS1A1101T1	SOCKET (1P)	
CN712	RJS1A1101T1	SOCKET (1P)	
CN715	RJU057W004	SOCKET (4P)	
CN501-1-3	RJS1A6604	SOCKET (4P)	
CN502-1, 2	RJS1A6604	SOCKET (4P)	
CN703-1, 2	RJS1A6604	SOCKET (4P)	
CP301	RJT057W004-1	CONNECTOR (4P)	
CP401	RJT057W004-1	CONNECTOR (4P)	
CP715	RJT057W004-1	CONNECTOR (4P)	
		EARTH TERMINAL (S)	
E501	SNE1004-1	GND PLATE	
E701	SNE1004-1	GND PLATE	
		FUSE HOLDER (S)	
FC1-6	EYF52BC	FUSE HOLDER	
		TRANSFORMER	
PT701	RTP2M5B003	POWER TRANSFORMER	$\Delta$
		RELAY	
RL701	RSY0013M-0	RELAY	$\Delta$
		JACK (S)	
JK202	RJT065W15	CONNECTOR (15P)	
JK301	RJJ37TN01-C	HEADPHONES JACK	
JK351	SJT3213	CONNECTOR (2P)	
JK401	RJJ65MA01	MIC JACK	
JK501	RJR0054M	SPEAKER TERMINAL	
JK502	SJF3068-12N	SPEAKER TERMINAL (SURROUND)	
JK701	SJS9236	AC INLET	$\Delta$

Ref. No.	Part No.	Values & Remarks
		RESISTORS
R159	ERDS2TJ100	1/4W 10
R217, 218	ERDS2TJ102	1/4W 1K
R223, 224	ERDS2TJ122	1/4W 1.2K
R251	ERDS2TJ222	1/4W 2.2K
R253, 254	ERDS2EJ121	1/4W 120
R255	ERDS2TJ154	1/4W 150K
R256	ERDS2TJ105T	1/4W 1M
R259	ERDS2TJ561	1/4W 560
R291, 292	ERDS2TJ104	1/4W 100K
R301, 302	ERDS2TJ223	1/4W 22K
R303, 304	ERDS2TJ333	1/4W 33K
R305, 306	ERDS2TJ223	1/4W 22K
R307, 308	ERDS2TJ102	1/4W 1K
R309-312	ERDS2EJ121	1/4W 120
R351	ERDS2TJ563	1/4W 56K
R352	ERDS2TJ184T	1/4W 180K
R353	ERDS2TJ474	1/4W 470K
R354	ERDS2TJ102	1/4W 1K
R355	ERDS2TJ103	1/4W 10K
R356	ERDS2TJ332	1/4W 3.3K
R357	ERDS1FVJ100T	1/2W 10 $\Delta$
R358	ERDS1FVJ220T	1/2W 22 $\Delta$
R361	ERDS2TJ474	1/4W 470K
R362	ERDS2TJ102	1/4W 1K
R371, 372	ERDS2TJ273	1/4W 27K
R373	ERDS2TJ222	1/4W 2.2K
R374	ERDS2TJ273	1/4W 27K
R375	ERDS2TJ822	1/4W 8.2K
R398	ERDS2TJ332	1/4W 3.3K
R399	ERDS2TJ154	1/4W 150K
R401	ERDS2TJ221	1/4W 220
R403	ERDS2TJ473	1/4W 47K
R404	ERDS2TJ123	1/4W 12K
R405	ERDS2TJ474	1/4W 470K
R406	ERDS2TJ102	1/4W 1K
R407	ERDS2TJ104	1/4W 100K
R408	ERDS2TJ473	1/4W 47K
R409	ERDS2TJ332	1/4W 3.3K
R410	ERDS2TJ102	1/4W 1K
R411	ERDS2TJ562	1/4W 5.6K
R412	ERDS2TJ102	1/4W 1K
R420	ERDS2TJ104	1/4W 100K
R501, 502	ERDS2TJ102	1/4W 1K
R503-506	ERDS2TJ563	1/4W 56K
R507-510	ERDS2TJ102	1/4W 1K
R511	ERDS2TJ334	1/4W 330K

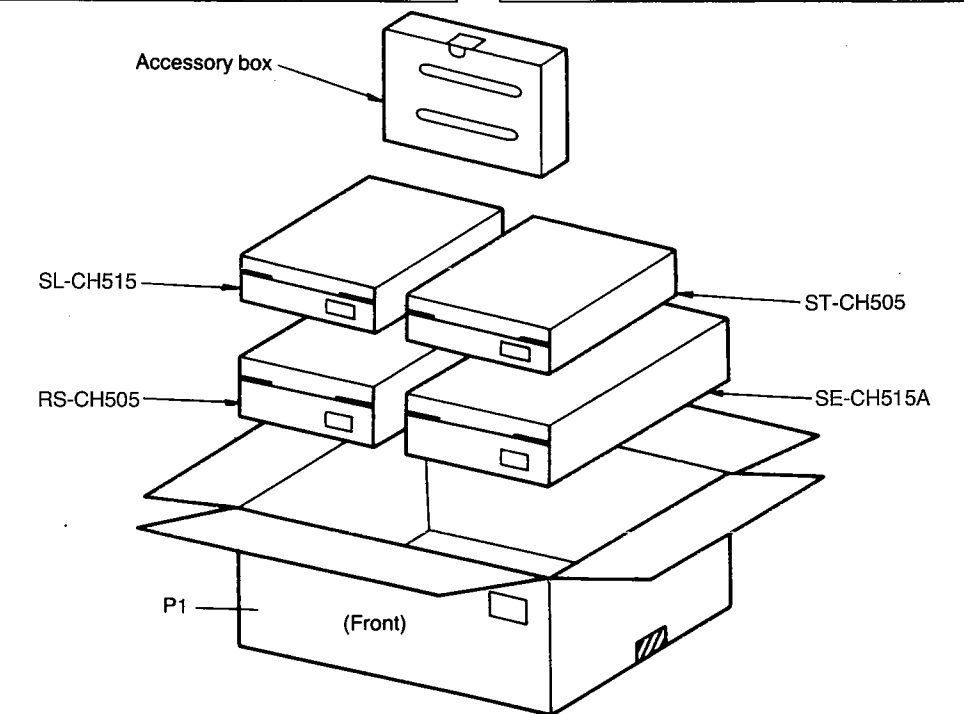
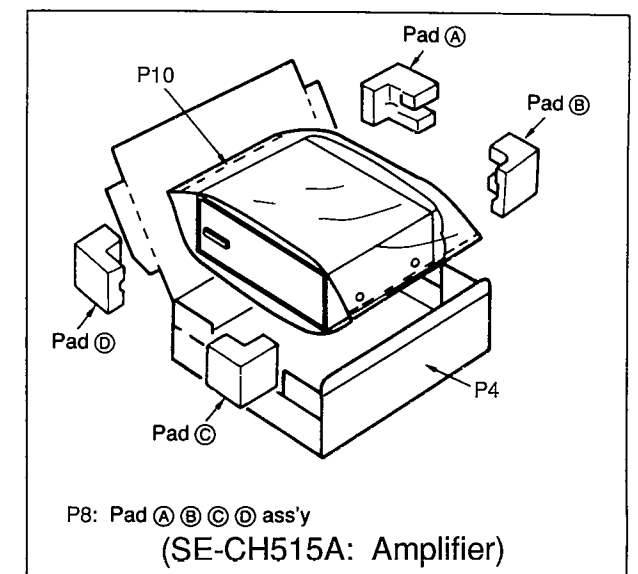
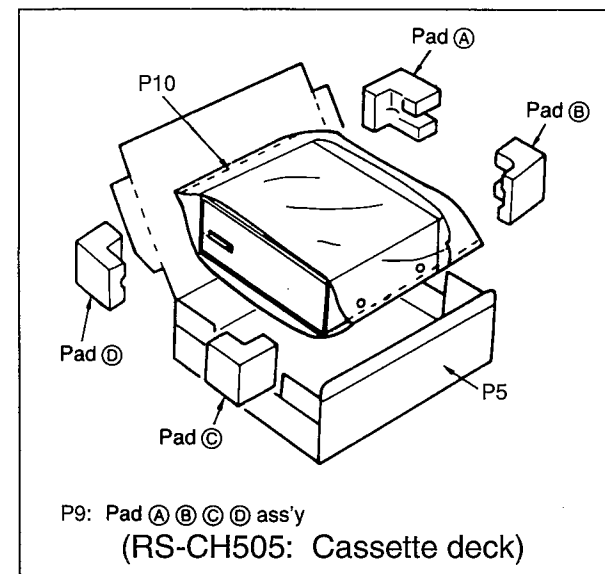
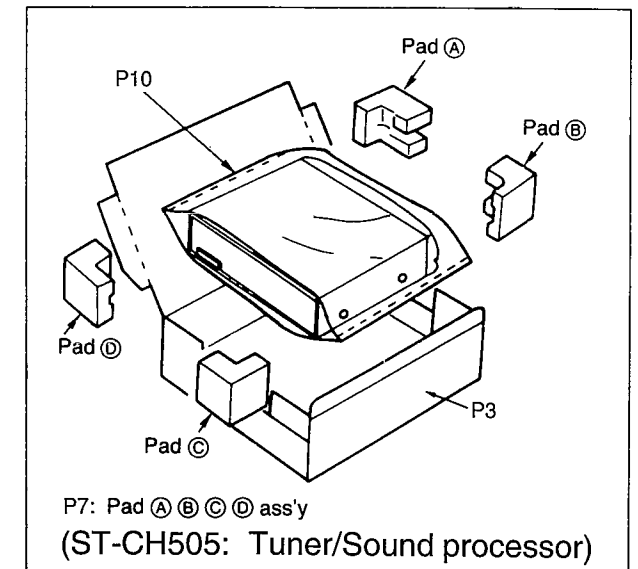
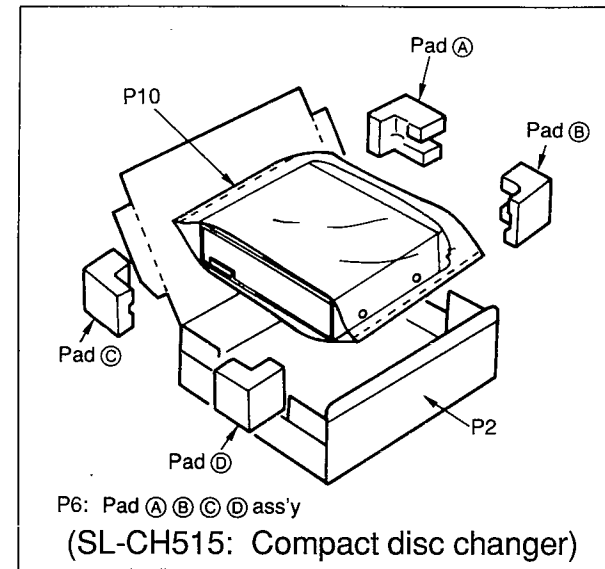
Ref. No.	Part No.	Values & Remarks	Ref. No.	Part No.	Values & Remarks	Ref. No.	Part No.	Values & Remarks
R512	ERDS2TJ154	1/4W 150K	R752	ERDS2TJ332	1/4W 3. 3K	C609	ECBT1E103ZF	25V 0. 01U
R513	ERDS2TJ684	1/4W 680K	R754	ERDS2TJ1R0	1/4W 1. 0	C610, 611	ECEA1CKA100B	16V 10U
R514	ERD25FJ470	1/4W 47 $\Delta$	R780	ERDS2TJ822	1/4W 8. 2K	C612	ECEA1HKA3R3B	50V 3. 3U
R515, 516	ERDS1FVJ100T	1/2W 10 $\Delta$	R799	ERDS2TJ103	1/4W 10K	C613, 614	ECBT1E103ZF	25V 0. 01U
R517, 518	ERD25FVJ100T	1/4W 10 $\Delta$				C615, 616	ECEA1VKA330B	35V 33U
R571	ERDS2TJ823T	1/4W 82K			CAPACITORS	C617, 618	ECEA1CKA100B	16V 10U
R572	ERDS2TJ124T	1/4W 120K				C621, 622	ECBT1E223ZF	25V 0. 022U
R573	ERDS2TJ563	1/4W 56K	C251	ECEA0JKA221B	6. 3V 220U	C632	ECEA1HKA010B	50V 1U
R574	ERDS2TJ564	1/4W 560K	C301, 302	ECEA1HKA3R3B	50V 3. 3U	C641-645	ECBT1E103ZF	25V 0. 01U
R575	ERDS2TJ223	1/4W 22K	C303, 304	ECBT1H150J5	50V 15P	C671, 672	ECBT1C822KS5	16V 8200P
R591, 592	ERDS2TJ391	1/4W 390	C305, 306	ECBT1H330J5	50V 33P	C701, 702	ECEA45V472YB	45V 4700U $\Delta$
R593, 594	ERDS2TJ182	1/4W 1. 8K	C307, 308	ECEA1CKA220B	16V 22U	C703, 704	ECEA1CKA330B	16V 33U
R595, 596	ERDS2TJ473	1/4W 47K	C351	ECEA1CKA100B	16V 10U	C705, 706	ECKR1H103ZF5	50V 0. 01U
R597, 598	ERDS2TJ123	1/4W 12K	C352	ECBT1E223ZF	25V 0. 022U	C707	ECA1HM221B	50V 220U $\Delta$
R602	ERDS2TJ471	1/4W 470	C353	ECEA1HKA2R2B	50V 2. 2U	C708	ECEA1CKA100B	16V 10U
R610	ERDS2TJ103	1/4W 10K	C361	ECEA1CN470SB	16V 47U	C709, 710	ECBT1E103ZF	25V 0. 01U
R611, 612	ERDS2TJ333	1/4W 33K	C362	ECEA1CKA100B	16V 10U	C711	ECQE1104KF3	100V 0. 1U
R613, 614	ERDS2TJ274	1/4W 270K	C371	ECEA0JKA221B	6. 3V 220U	C712	ECBT1E223ZF	25V 0. 022U
R615, 616	ERDS2TJ123	1/4W 12K	C381, 382	ECBT1E103ZF	25V 0. 01U	C714	ECKR1H103ZF5	50V 0. 01U
R617, 618	ERDS2TJ273	1/4W 27K	C395, 396	ECBT1E223ZF	25V 0. 022U	C731, 732	ECKT1H102KB	50V 1000P
R619, 620	ERDS2TJ223	1/4W 22K	C397, 398	ECBT1E103ZF	25V 0. 01U	C751	ECEA1VKA100B	35V 10U
R621, 622	ERDS2TJ824	1/4W 820K	C401	ECBT1H221KB5	50V 220P	C752	ECKR1H103ZF5	50V 0. 01U
R623, 624	ERDS2TJ220T	1/4W 22	C403	ECEA1HKA3R3B	50V 3. 3U	C905, 906	ECBT1H101KB5	50V 100P
R625, 626	ERDS2TJ473	1/4W 47K	C404	ECBT1H221KB5	50V 220P	C1101, 1102	ECBT1E223ZF	25V 0. 022U
R627, 628	ERDS2TJ102	1/4W 1K	C405	ECBT1H101KB5	50V 100P	C1103-1106	ECBT1H102KB5	50V 1000P
R629	ERDS2TJ472	1/4W 4. 7K	C406	ECEA1CKA100B	16V 10U			
R630	ERDS2TJ222	1/4W 2. 2K	C407	ECEA1HKA3R3B	50V 3. 3U			
R631	ERDS2TJ105T	1/4W 1M	C408	ECBT1H181KB5	50V 180P			
R632	ERDS2TJ334	1/4W 330K	C409	ECEA1HKA010B	50V 1U			
R633, 634	ERDS2TJ102	1/4W 1K	C410	ECBT1H221KB5	50V 220P			
R635, 636	ERDS2TJ752T	1/4W 7. 5K	C411	ECBT1E103ZF	25V 0. 01U			
R637	ERDS2TJ104	1/4W 100K	C412	ECBT1E223ZF	25V 0. 022U			
R638	ERDS2TJ102	1/4W 1K	C414	ECA1AM331B	10V 330U			
R639	ERDS2TJ223	1/4W 22K	C415	ECBT1H102KB5	50V 1000P			
R640	ERDS2TJ102	1/4W 1K	C421	ECBT1H102KB5	50V 1000P			
R641	ERDS2TJ822	1/4W 8. 2K	C501, 502	ECA1HAP3R3B	50V 3. 3U			
R644-646	ERDS2TJ103	1/4W 10K	C503, 504	ECBT1H331KB5	50V 330P			
R652	ERDS2TJ102	1/4W 1K	C505, 506	ECBT1H150J5	50V 15P			
R654, 655	ERDS2TJ222	1/4W 2. 2K	C507, 508	ECBT1C272KR5	16V 2700P			
R701	ERQ16NKW2R2E	1/4W 2. 2 $\Delta$	C509, 510	ECEA1HKA2R2B	50V 2. 2U			
R702	ERD2FCVJ4R7T	1/4W 4. 7 $\Delta$	C511, 512	ECBT1C122KR5	16V 1200P			
R703, 704	ERDS2TJ562	1/4W 5. 6K	C513	ECEA1VU470	35V 47U			
R705, 706	ERG1SJ471E	1W 470 $\Delta$	C514	ECA2AAP100B	100V 10U			
R707	ERDS1FVJ820T	1/2W 82 $\Delta$	C515, 516	ECBT1H104ZF5	50V 0. 1U			
R708	ERDS2TJ472	1/4W 4. 7K	C557	ECA1VM101B	35V 100U			
R709	ERG1SJ391E	1W 390 $\Delta$	C562	ECEA1HKN010B	50V 1U			
R711	ERG1SJ331E	1W 330 $\Delta$	C571	ECEA0JKA101B	6. 3V 100U			
R713	ERDS2TJ6R8	1/4W 6. 8	C572	ECBT1E223ZF	25V 0. 022U			
R714	ERDS2TJ153	1/4W 15K	C591, 592	ECEA1HKA010B	50V 1U			
R716	ERDS2TJ393	1/4W 39K	C593, 594	ECQV1H104JM3	50V 0. 1U			
R717	ERDS2TJ473	1/4W 47K	C601-606	ECEA1CKA100B	16V 10U			
R751	ERDS2TJ392T	1/4W 3. 9K	C607	ECEA0JU102	6. 3V 1000U			

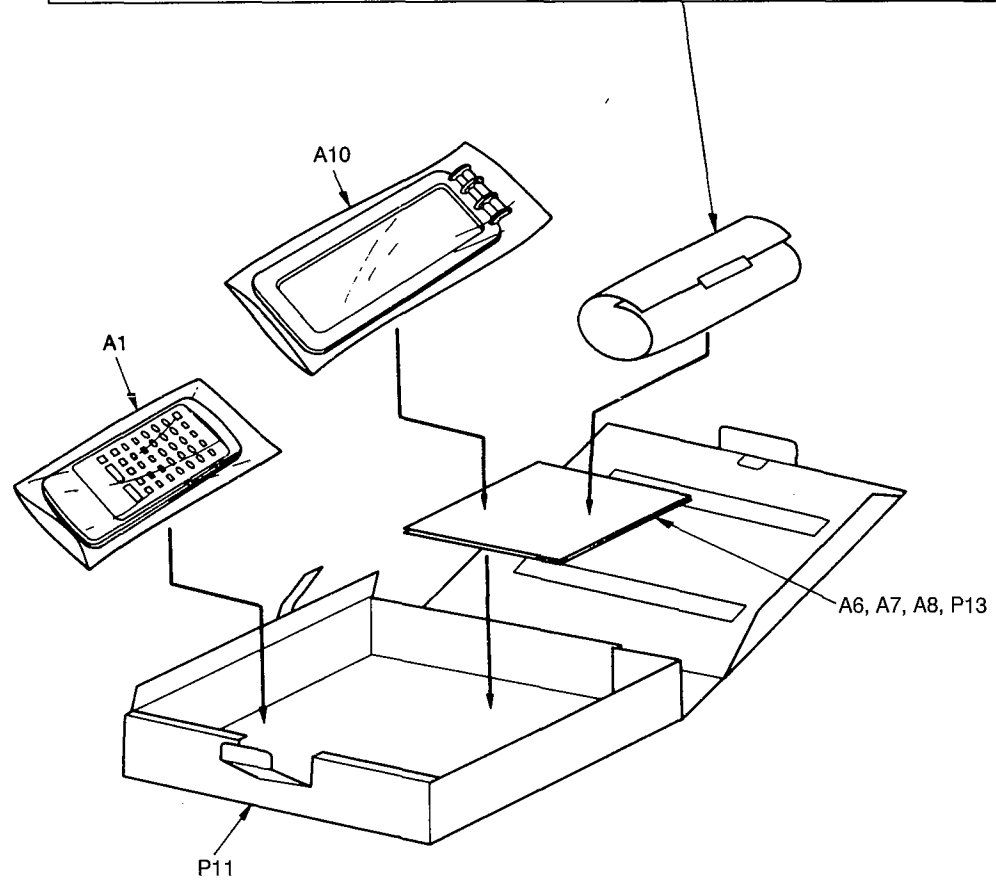
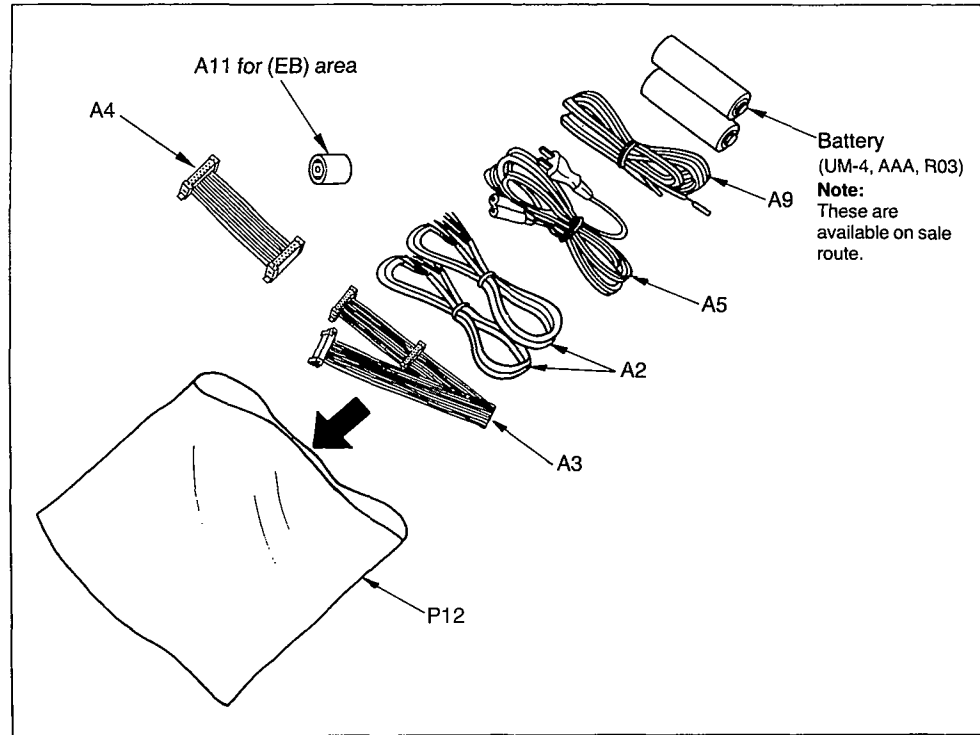
Ref. No.	Part No.	Part Name & Description	Remarks	Ref. No.	Part No.	Part Name & Description	Remarks
		CABINET PARTS LIST		P4	RPG1312	PACKING CASE (AMPLIFIER)	
				P5	RPG1313	PACKING CASE (DECK)	
				P6	RPND768	PAD (CD)	
1	RKM0202B-1K	CABINET		P7	RPND719	PAD (TUNER)	
2	RGW0183-K	KNOB, MAIN VOLUME		P8	RPND720	PAD (AMPLIFIER)	
3	RFKJECH404EK	BOTTOM BOARD ASS' Y		P9	RPND721	PAD (DECK)	
3-1	RKA0011-3	FOOT		P10	XZB45X50A01Z	PROTECTION COVER	
4	RFKHECH515AE	REAR GRILL ASS' Y	(E)	P11	RPQF0047	ACCESSORIES BOX	
4	RFKHECH515EB	REAR GRILL ASS' Y	(EB)	P12	XZB22X20C03	POLYETHYLENE COVER	
4	RFKHECH515EG	REAR GRILL ASS' Y	(EG)	P13	XZB24X34C04	POLYETHYLENE COVER	
5	RKQ0089	P. C. B. SPACER					
6	RMCO158	TRANSISTOR HOLDER				ACCESSORIES	
7	RMNO191	HOLDER					
8	RFKGECH515AE	FRONT PANEL ASS' Y		A1	RAK-CH121WH	REMOTE CONTROL TRANSMITTER	
8-1	RKW0302-V	FL PANEL		A1-1	RKK0057-K	BATTERY COVER	
9	RGL0220-Q	LEADING LIGHT PANEL		A2	REE0393	SPEAKER CORD	
10	RGU0939-K	BUTTON, POWER		A3	REX0511	FLAT CABLE (15P) (LONG TYPE)	
11	RGU0940-K	BUTTON, RANGE		A4	REX0512	FLAT CABLE (15P) (SHORT TYPE)	
12	RGW0178-K	KNOB, MIC VOLUME		A5	RJA0019-2K	AC POWER SUPPLY CORD	△ (SF) (E) (EG)
13	REZ0606	FLAT CABLE (8P) (W703)		A5	VJAD733	AC POWER SUPPLY CORD	△ (SF) (EB)
14	RWJ1812220QC	FLAT CABLE (12P) (W501)		A6	RFKSECH515AE	INSTRUCTIONS MANUAL	(E)
15	RWJ1808220XX	FLAT CABLE (8P) (W502)		A6	RFKSECH515EB	INSTRUCTIONS MANUAL	(EB)
16	RMNO195	FL SPACER		A6	RQT2202-E	INSTRUCTIONS MANUAL	(EG)
17	RMNO237	FL HOLDER (SH601)		A7	RQAD013	WARRANTY CARD	
18	SNE4021-1	NUT		A8	RQCB0169	SERVICE CENTER LIST	
19	RMNO236	MIC JACK P. C. B. HOLDER		A9	RSA0007	FM INDOOR ANTENNA	
20	RMNO215	FAN ANGLE		A10	RSA0010	AM LOOP ANTENNA	
21	RGK0593-S	ORNAMENT RING		A10-1	RMNO244	ANTENNA HOLDER	
22	SYE1128-2	FAN ASS' Y		A10-2	XTN3+10AFZ	SCREW	
22-1	SHE232	FAN		A11	SJP9009	ATTACHMENT PLUG	△ (EB)
22-2	SJS271	SPRING					
22-3	SHE233-1	FAN CASE					
22-4	MDN-4RB4MRC	MOTOR					
22-5	SHE234	CAP					
22-6	SJT783	TERMINAL					
22-7	SJS5215	CONNECTOR (2P)					
23	XTB3+8JFZ	SCREW					
24	XTW3+15T	SCREW					
25	RHD30007	SCREW					
26	XTBS3+8JFZ1	SCREW					
27	RHD30032	SCREW					
28	XTW3+8T	SCREW					
29	XTBS26+8J	SCREW					
30	XTWS3+10T	SCREW					
31	XTB3+20JFZ	SCREW					
		PACKING MATERIALS					
P1	RPG1865	PACKING CASE (SYSTEM)	(E) (EG)				
P1	RPG1866	PACKING CASE (SYSTEM)	(EB)				
P2	RPG1437	PACKING CASE (CD)					
P3	RPG1314	PACKING CASE (TUNER)					

**■ Cabinet Parts Location**



**■ Packaging**





940